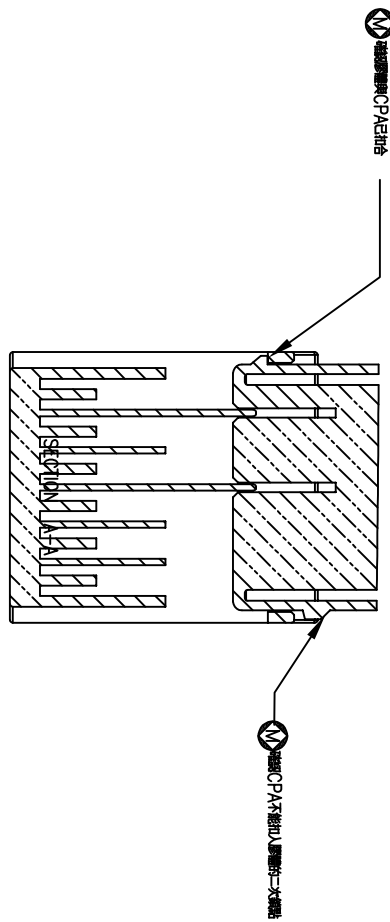
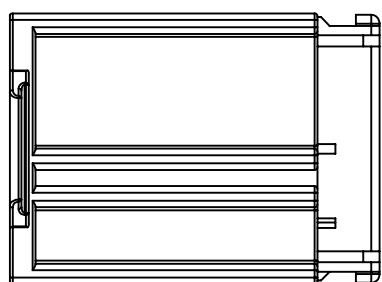
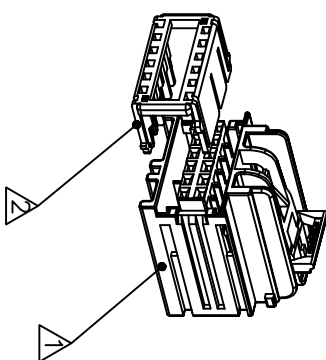
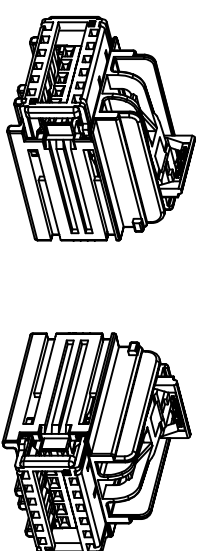


- NOTES:
1. MATERIAL IS PBT+GF15%
 2. THE CAVITY, LOGO MAX HEIGHT 0.10mm ABOVE SURFACE. THE TEXT HEIGHT IS ABOUT 1mm.
 3. IF ANY DIMENSIONS OR DRAFT ANGLES WEREN'T MARKED, PLS. REFER TO 3D DRAWING
 4. SPEC. PLEASE REFER TO SPEC-92413-XXXXX
 5. PACKAGE FOR BAG
 6. TERMINAL :92508-T03L-CA1 SOCKET:92208-XXXXX-CA1
 7. PART NUMBER

92413-012 X X -CA1
 NO OF CKT
 PACKING 3:BAG
 PLATING 9:NONE



SECTION A-A



NO	PART/NO.	NAME	Q'TY
1	92413-008HQM1-001	HOSING	1
2	92413-008SOM0-001	SUTTER	1

宏致電子股份有限公司
 Aces Electronics Co., Ltd.

一般公差 TOLERANCES X ±0.6 Y ±0.25 Z ±0.1 ANGLES 3°		品名 (TITLE) 2.54 mm Auto Female Conn.025 type		製圖 (DR) 17/12/16 審核 (CHKD) 審核 (CHKD) Lee Kuang En	
輪廓尺寸標示 SYMBOLS CLASSIFICATION DIMENSION MARK IS CRITICAL DIM. MARK IS MAJOR DIM.		圖號 (DWG NO.) 92413-012XX-CA1		核准 (APPD) 1 OF 1 Lee Kuang En	
表面處理 (FINISH)		比例 (SCALE) 單位 (UNITS) 2:1 mm		張數 (SHEET) 1 OF 1 SIZE A4 REV 0	